

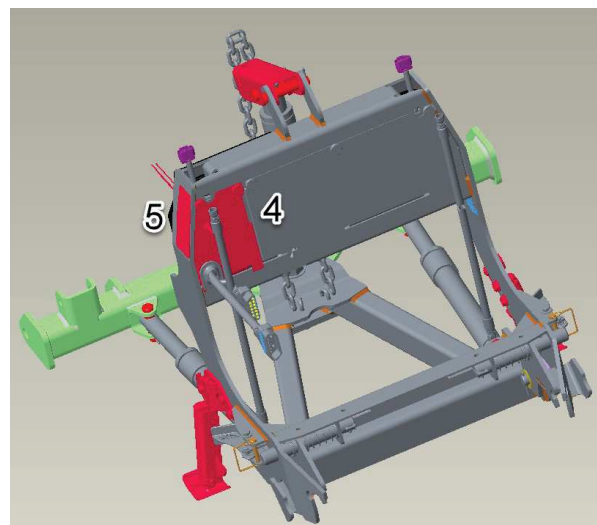
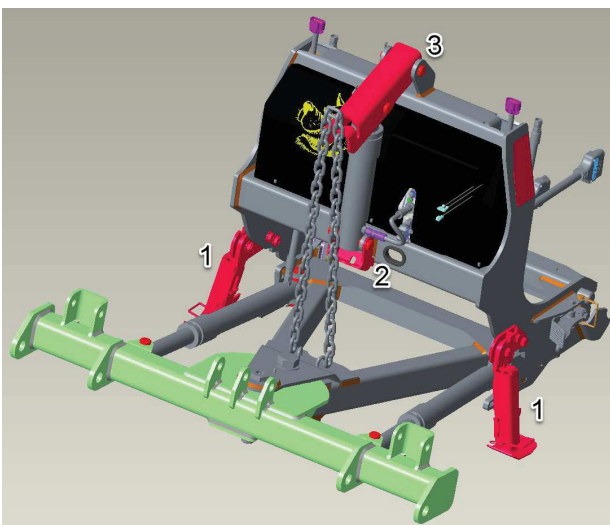
# IMPORTANT HD//, EX//, TE// and VFX// UPDATES

Updates to the HD//, EX//, TE//, VFX// plows are outlined below. These improvements reflect distributor and end user feedback from the 2017/2018 snow season. All plows shipped from 2018/2019 preseason on will incorporate these updates.

Thank you for your feedback. It helps us continue to make SnowDogg plows easy to sell, install, and use.

## What's changed for 2018?

1. Easier to use Prop Feet - designed for use with updated QuickMount II
2. New Stacking Stop - allow maximum stacking while preventing damage to the lift cylinder base
3. Improved Chain lift – No chain clips required
4. and 5. Updated QuickMount II and Jack Switch with Instructional Decal – see below
6. Light Bar Reinforced (see 16TSB-76)



## What's different about the Updated QuickMount II?

The updated QuickMount II allows the lift frame height to be adjusted while the plow is OFF THE TRUCK.

- The ability to raise the plow compensates for soft ground, different truck mount heights, etc. and controls how much the lift frame tilts forward – meaning easier remounting and less potential interference with truck bumper trim, air dams, etc.
- A JACK SWITCH is located on the lift frame so the user doesn't need to return to the truck cab to adjust plow height.

## Does the switch affect the hydraulics and wiring installation?

No - the switch is pre-installed into existing wiring on the plow side and no additional hydraulics or wiring are necessary. The switch engages the UP/DOWN functions of the controller – so it is just a convenience for the operator so they don't have to go back to the truck cab.

9049 Tyler Blvd. • Mentor, Ohio 44060  
Phone (440) 974-8888 • Fax (800) 841-8003  
Email: [preseason2018@buyersproducts.com](mailto:preseason2018@buyersproducts.com)

[www.BuyersProducts.com](http://www.BuyersProducts.com)



## Can a 2017 Generation II plow be updated to 2018 Generation II Plow?

YES - All new components on the 2018 plows are backwards compatible. For convenience two upgrade kits are available. You can just update the mechanical components (3039461) or you can also add the switch kit (3039678).

UPGRADE PATHS	
2017 to 2018 Generation II upgrade <b>3039461</b>	contains chain lift (16111408A), stacking stop (16111164), and prop kit (3039443)
<i>This gets the plow upgraded mechanically to 2018 components. The updated QMII mount system can be used with the handheld controller. The jack switch is a convenience and is not necessary.</i>	
2017 to 2018 Switch Option upgrade <b>3039678</b>	contains jack switch kit and updated controller
<i>This and 3039461 will make a 2017 plow match the 2018 plow. It is offered seperately as it's a more expensive option and is not required to get the updated Quick Mount II functionality</i>	
<b>FOR FULL UPGRADE - BOTH OF THESE WILL BE REQUIRED</b>	

## What about warranty parts for 2017 Generation II plows?

All 2017 plow warranty claims will use the appropriate 2018 parts. Because the feet work in pairs – if a single 2017 prop foot is replaced under warranty the complete Updated QMII prop kit with mounting instruction decal will be provided.

2017 GENERATION II to 2018 GENERATION II REPLACEMENT PART CONVERSIONS	
2017 Generation II	2018 Generation II Equivalent
Chain Lift - 16111408	Chain Lift, 2018 - 16111408A
DS Prop Foot - 16111330	Prop Kit, updated QMII - 3039443
PS Prop Foot - 16111340	
Controller, Straight - 16160601	Controller, Straight - 16160601A
Controller, V - 16161601	Controller, V - 16161601A
Rear Panel, HPU DS - 16152132	Rear Panel, HPU DS - 16152132A
–	Stacking Stop Kit - 16111164

9049 Tyler Blvd. • Mentor, Ohio 44060  
 Phone (440) 974-8888 • Fax (800) 841-8003  
 Email: [preseason2018@buyersproducts.com](mailto:preseason2018@buyersproducts.com)

[www.BuyersProducts.com](http://www.BuyersProducts.com)





## TECHNICAL SERVICE BULLETIN

<b>NUMBER</b>	<b>16TSB-76</b>			<b>TYPE</b>	<b>SERVICE ALERT</b>			
<b>ROUTING</b>	INSTALL	<b>X</b>	SERVICE	<b>X</b>	SALES	PURCH		
<b>TITLE</b>	<b>G2 LIGHT BAR (UPPER LIFT FRAME)</b>							
<b>REV</b>	<b>B</b>			<b>ISSUED</b>	<b>1/12/2018</b>	<b>REVISED</b>	<b>4/19/2018</b>	
<b>AFFECTS</b>	<b>ALL G2 PLOWS, 1601X002/1601X022, 16111634 LIGHT BAR SOLD IN 2017</b>							
<b>INFORMATION</b>	<p>There have been several instances of the upper light bar (16111634) breaking where it enters the lower lift frame. This can be caused by the fasteners not being properly tightened, or by weld interference preventing them from being properly tightened.</p> <div style="display: flex; justify-content: space-around; align-items: center;">   </div>							
<b>CORRECTION</b>	<p>Inspect the light bars for looseness or damage. A service kit 3038761 has been developed to reinforce existing light bars to match the newer design and is available at no charge with a 1 hour labor allowance. These kits are available.</p> <p>All service stock of 16111634 is the newer design and all 2018 plows have the reinforced light bars.</p>							